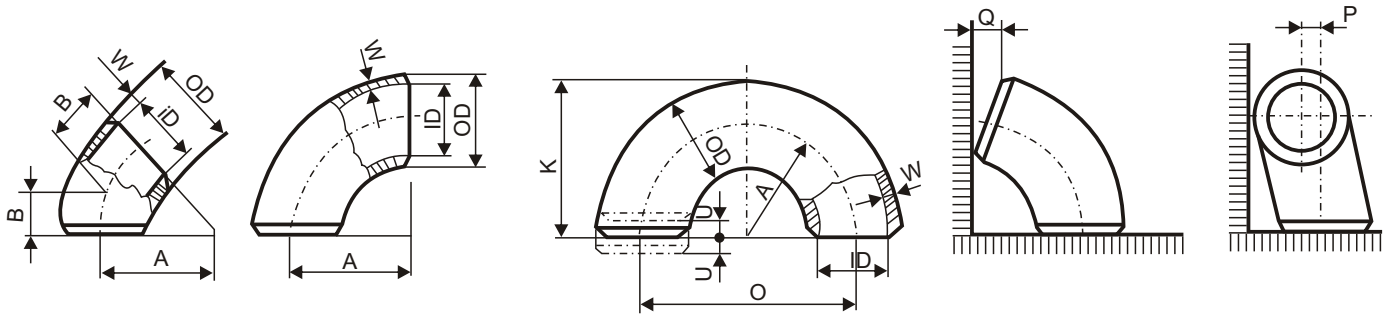


ELBOWS

ANSI B.16.9



Elbows - Long Radius

Nom. pipe size inch.	Out dia. OD (mm)	ANSI B.16.9											
		Wall thickness								90° elbow A (mm)	45° elbow B (mm)	180° elbow bends K (mm)	Approx. weight for 90° elbow sch40s, STD (Kg)
		SCH10S	SCH20	SCH30	SCH40	SCH40S STD	SCH60	SCH80	SCH80S X-strong				
1	33.4	2.77	-	-	3.38	3.38	-	-	-	38.1	-	55.6	0.154
1 1/4	42.2	2.77	-	-	3.56	3.56	-	-	-	47.6	-	69.8	0.263
1 1/2	48.3	2.77	-	-	3.68	3.68	-	-	-	57.1	-	82.5	0.376
2	60.3	2.77	-	-	3.91	3.91	-	5.54	5.54	76.2	34.9	106.4	0.676
2 1/2	73.0	3.05	-	-	5.16	5.16	-	7.01	*7.01	95.2	44.5	131.8	1.33
3	88.9	3.05	-	-	5.49	5.49	-	7.62	*7.62	114.3	50.8	158.8	2.08
3 1/2	101.6	3.05	-	-	5.74	5.74	-	-	-	133.4	57.2	184.2	2.92
4	114.3	3.05	-	-	6.02	6.02	-	8.56	*8.56	152.4	63.5	209.6	3.95
5	141.3	3.40	-	-	6.55	6.55	-	9.53	*9.53	190.5	79.4	261.9	6.67
6	168.3	-	-	-	7.11	7.11	-	10.97	10.97	228.6	95.3	312.7	10.4
8	219.1	-	-	7.04	8.18	8.18	10.30	12.70	12.70	304.8	127.0	414.3	20.9
10	273.0	-	-	7.80	9.27	9.27	12.70		12.70	381.0	158.7	517.5	37.0
12	323.9	-	-	8.38	10.30	9.53	14.30		12.70	457.2	190.5	-	54.0
14	355.6	-	7.92	9.53	11.10	9.53	-		12.70	533.4	222.2	-	69.9
16	406.4	-	7.92	9.53	12.70	9.53	-		12.70	609.6	254.0	-	91.2
18	457.2	-	7.92	11.10	14.30	9.53	-		12.70	685.8	285.7	-	116.1

NOTE

The size marked* are made only from carbon steel and low alloy steel.
 - 45° elbows are made at diameters greater or equal than 2" (60.3 mm)

- 180° return bands are made at diameters less or equal than 10" (273.0 mm). - By agreement between producer and beneficiary we execute too other wall thicknesses.