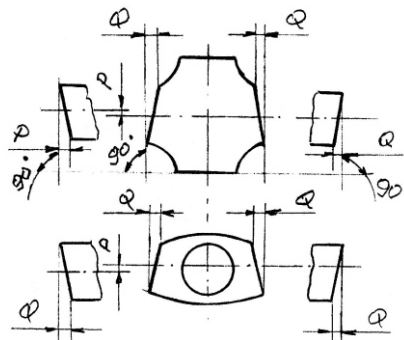
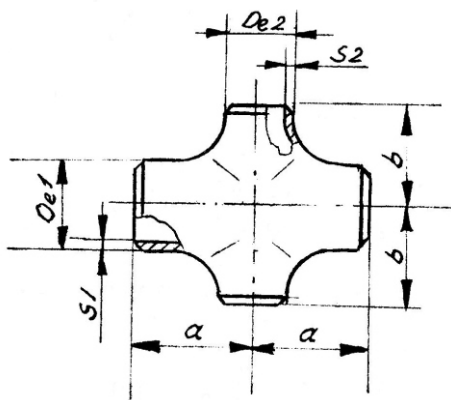


# CRUCI REDUSE

**STAS 8804/7 - 92**



Nr. crt.	Diametrul exterior		Grosimi		Lungime	Lățime
	De1	De2	S1	S2	a	b
	mm	mm	mm	mm	mm	mm
1	60	48	3÷6	3÷6	64	60
2		42	3÷6	3÷6		57
3		38	3÷6	3÷6		57
4		34	3÷6	3÷6		51
5	73	60	4÷8	3÷6	76	70
6		57	4÷8	3÷6		70
7		48	4÷8	3÷6		67
8		42	4÷8	3÷6		64
9		38	4÷8	3÷6		64
10	76	60	4÷8	3÷6	76	70
11		57	4÷8	3÷6		70
12		48	4÷8	3÷6		67
13		45	4÷8	3÷6		67
14	89	42	4÷8	3÷6	86	64
15		76	4÷8	4÷8		83
16		73	4÷8	4÷8		83
17		60	4÷8	3÷6		76
18		57	4÷8	3÷6		76
19	102	48	4÷8	3÷6	105	73
20		89	4÷10	4÷8		98
21		76	4÷10	4÷8		95
22		73	4÷10	4÷8		95
23	60	4÷10	3÷6	89		

Nr. crt.	Diametrul exterior		Grosimi		Lungime	Lățime
	De1	De2	S1	S2	a	b
	mm	mm	mm	mm	mm	mm
24	108	89	4÷10	4÷8	105	98
25		76	4÷10	4÷8		95
26		73	4÷10	4÷8		95
27		60	4÷10	3÷6		89
28	114	89	5÷12	4÷8	105	98
29		76	5÷12	4÷8		95
30		73	5÷12	4÷8		95
31		60	5÷12	3÷6		89
32	133	114	6÷12	5÷12	120	117
33		102	6÷12	4÷10		117
34		89	6÷12	4÷8		111
35		76	6÷12	4÷8		108
36	140	114	6÷12	5÷12	124	117
37		108	6÷12	4÷10		117
38		102	6÷12	4÷10		117
39		89	6÷12	4÷8		111
40		76	6÷12	4÷8		108
41	168	140	6÷14	6÷12	143	137
42		133	6÷14	6÷12		137
43		114	6÷14	5÷12		130
44		89	6÷14	4÷8		124