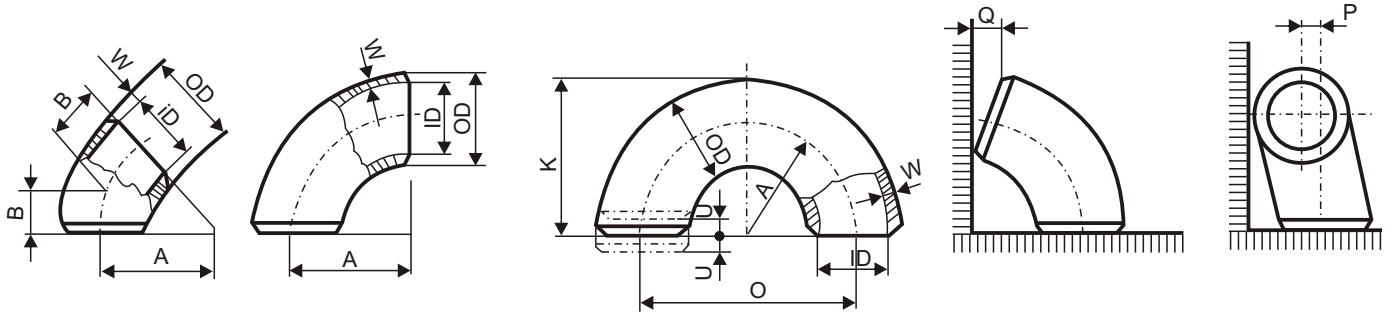


ELBOWS

ANSI B.16.28



Elbows - Short Radius

Nom. pipe size inch.	Out dia. OD (mm)	ANSI B.16.28				
		Wall thickness		90° elbow A (mm)	45° elbow B (mm)	Aprox. weight for 90° elbow sch40s, STD (Kg)
		SCH40S STD	SCH80S X-strong			
2	60.3	3.91	5.54	50.8	34.9	0.45
2½	73.0	5.16	7.01	63.5	44.5	0.88
3	88.9	5.49	7.62	76.2	50.8	1.38
3½	101.6	5.74	8.08	88.9	57.2	1.93
4	114.3	6.02	8.56	101.6	63.5	2.62
6	168.3	7.11	10.97	152.4	95.3	6.89
8	219.1	8.18	12.70	203.2	127.0	13.8
10	273.0	9.27	12.70	254.0	158.8	24.5
12	323.9	9.52	12.70	304.8	190.5	36.1
14	355.6	9.52	12.70	355.6	222.3	46.3
16	406.4	9.52	12.70	406.4	254.0	61.2
18	457.2	9.52	12.70	457.2	285.8	77.6